

PERFORMANCE OF 16-BIT PIPELINED ADC BY 180nm CMOS TECHNOLOGY

¹ G RAMESH, ² G LAXMI PRIYANKA, ³ V VIJAYA KUMAR

^{1,2,3} Assistant professor, Department of Electronics and Communication Engineering,
St. Martin's Engineering College, Hyderabad-500100

Abstract - This paper offerings a 4-stage pipelined analog to digital converter construction through a 4-bit resolve per every period, permitted with the support of a succeeding estimate register grounded sub-ADC. Consecutive estimate register (SAR) ADC architectures are prevalent for attaining high energy proficiency, low power presentations but they smart from resolution and rapidity limitations. To speechless the speediness boundaries of SAR ADC we projected the organised proposal method of a low-power, high-speed pipelined Analog-to Digital Converter (ADC). "The power feedings of the capacitive digital-to-analog converter (DAC), dual stage CMOS comparator with output inverter of the planned ADC are lower than those of an unoriginal ADC". ADC is designed in 0.18 μ m CMOS technology with intermediate sample rate and 16-bit resolve remain attained.

Keywords—Analog-digital converter(ADC), data conversion, low power, successive approximation register architecture(SAR), digital to analog converter(DAC).

1. INTRODUCTION

In existing situation owing to its in height resolve and energy competence pipelined ADC's must remained by means of in numerous presentations such as signals of corporal ecosphere to computer, ultrasonic medical imaging, digital receivers, musical recording, digital signal processing. "Detecting the signals of heartbeat plays a pivot role in cardiology .Pipelined ADC that we are propounding converts the signals from analog to digital without erroneous mismatches makes proposing ADC more accurate and achieves high speed in respective applications and low power consumption makes it widely usable". "ADC is an important block in the sensing stage of the biomedical systems, such as implantable devices, for accurate detection of the physiological signals like electrocardiogram (ECG) and electroencephalogram (EEG)". Low power ADCs with reasonable resolve and low sample occurrence is suitable used for biomedical presentation.

Biomedical electronics has expanded important consideration in healthcare manufacturing, where biomedical devices are flattering general on behalf of usage in the analysis of ailment or other environments, or in the cure, extenuation and anticipation of ailment. "They are used in wide variety of conditions such as cardiac pacemakers for cardiac arrhythmia, cochlear implants for deafness or retinal implants for blindness. A large amount of activity is being researched in brain-machine interfaces for paralysis, stroke, and blindness". "In biomedical signal applications speed and power are big concerns". "Normally, Bio-medical signal data do not vary too much. By proceeding in normal way to do conversion, there will be lot of power consumption with less speed". "So, Conversion with the present architectures is no longer useful for bio-medical signals". "SAR ADC consumes low power due to its simple structure". "These specifications make SAR ADC the suitable choice, but they suffer from resolution and speed limitations". "To overcome the speed limitations of SAR ADC we proposed the systematic design approach of a low-power, high-speed pipelined Analog-to

Digital Converter (ADC)”.

The circuits we recycled to proposal pipelined “ADC are Succeeding Estimate Register ADC, Digital to Analog Converter (DAC), Two Stage CMOS Comparator with output inverter, Illustration And Hold circuit, Edge Triggered D Flip flop with set and reset pins”.

2. LITERATURE REVIEW

ADCs can be instigated by retaining a variability of constructions. “However, specific limitations (conversion time, power consumption, accuracy) of each architecture, lead to a different choice depending of the required specifications”. “The conversion time for flash ADCs does not change materially and the structure becomes more complex with the increase in resolution, for every bit increase in resolution almost doubles the size of the ADC core circuitry, and the power also double”. “For integrating ADCs, the conversion time doubles with every bit increase in resolution and core die size will not materially change with an increase in resolution”.

“Comparatively, the SAR ADC will have a few advantages over the other ADCs to fulfil these work specifications. First, the SAR ADC consumes much less power since its structure consists of only one comparator, switched capacitors digital to analog converter, all-consuming little power”. “Second it follows a very simple principle, the binary search algorithm, which makes it simpler to design and implement than for instance sigma-delta ADCs”. “Since the main purpose of this work is to achieve a low power and low area ADC the SAR architecture was chosen as sub-ADC. But SAR ADC suffers from high resolution and speed”. “To overcome these limitations we proposed a high speed, power efficient Pipelined ADC”.

3. SUGGESTED ADC ARCHITECTURE

The Pipelined ADC simple construction is show in Figure.1. “The architecture presents N cascaded stages, each having the resolution of B-Bits. In Figure.2 a block diagram of a single pipelined stage is presented”. “Within each stage, the analog input is sampled by the S&H circuit”. “Then it is quantized by a sub-ADC to resolve B-bits. Using a sub-DAC the quantized value of the sub-ADC is reconverted into analog voltage and is subtracted from the original input signal to yield the quantization error”.

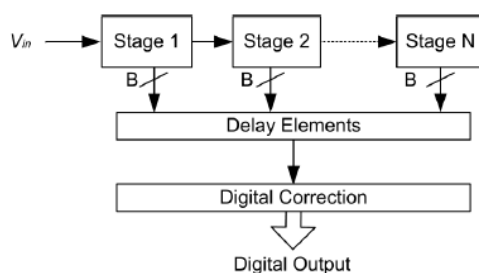


Fig 1. Pipelined ADC basic architecture [4].

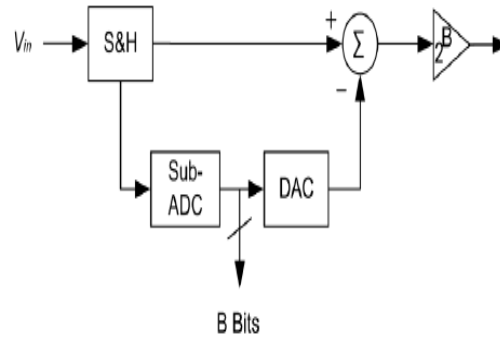


Fig 2. Block diagram of single stage[4]

The quantization error is before renovated to original full scale through an amplifier of gain 2. “Stages operate concurrently; that is, at any time, the first stage operates on the most recent sample while all other stages operate on residues”. “So the digital outputs of each stage are delayed by using delay elements so that their values correspond to the same input sample”. “The digital correction block is used to generate the required output bits”.

4. SUB-ADC

In SAR ADC , one bit is resolved in respectively clock cycle using binary exploration algorithm . “The block diagram is seen in Fig. 3. VIN is sampled and compared to the output of the DAC”. “The comparator output controls the direction of the binary search, and the output of the successive approximation register (SAR) is the actual digital conversion”. The consecutive calculation algorithm is as surveys.

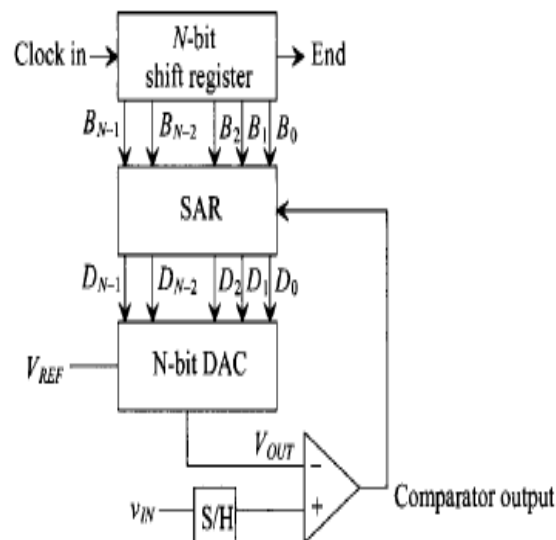


Fig 3. Block diagram of SAR ADC[4].

- “A1 is applied to the input of the shift register. For each bit converted, the 1 is shifted to the right 1-bit position. $B_{N-1} = 1$ and B_{N-2} through $B_0 = 0$ ”.
- “The MSB of the SAR, D_{N-1} , is initially set to 1, while the remaining bits, D_{N-2} through D_0 , are set to 0”.
- “Since the SAR output controls the DAC and the SAR output is 100...0, the DAC

- output will be set to $V_{REF}/2$ ".
- "Next, V_{IN} is compared to $V_{REF}/2$. If $V_{REF}/2$ is greater than V_{IN} , then the comparator output is a 0 and the comparator resets DN-1 to 0. If $V_{REF}/2$ is less than V_{IN} , then the comparator output is a 1 and the DN1 remains a 1. DN-1 is the actual MSB of the final digital output code".
 - "The 1 applied to the shift register is then shifted by one position so that DN-2 while the remaining bits are all 0".
 - "DN-2 is set to a 1, DN-3 through D0 remain 0, while DN-1 remains the value from the MSB conversion. The output of the DAC will now either equal $V_{REF}/4$ (if DN-1 = 0) or $3V_{REF}/4$ (if DN-1 = 1)".
 - "Next, V_{IN} is compared to the output of the DAC. If the DAC output is greater than V_{IN} then the comparator output drives DN-2 to 0. If the DAC output is less than V_{IN} then DN-2 remains a 1".
 - "The process repeats until the output of the DAC converges to the value of V_{IN} within the resolution of the converter".
 - "SAR ADC's accuracy depends mainly on the accuracy of the DAC. If the DAC does not produce the correct analog voltage with which to compare the input voltage, the entire converter output will contain an error".

5. Sub-Blocks of SAR-ADC:

A. Sample and hold circuit

In universal, Sample and hold circuit (SHC) comprehends a switch and capacitor. In the following mode, when the sampling signal is high and the switch is associated, it tracks the analog input signal.

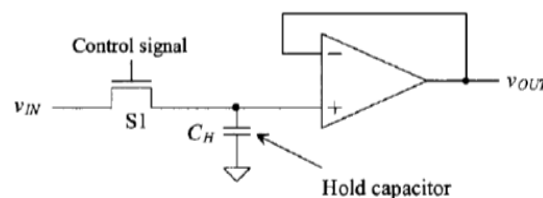


Fig4. Sample and hold circuit

Then, it holds the value when the sampling signal turns to low in the hold mode. "In this case, sample and hold provides a constant voltage at the input of the ADC during conversion". "Regardless of the type of S/H, sampling operation has a great impact on the dynamic performance of the ADC".

B. Two stage CMOS comparator with output inverter:

This comparator circuit is a two-stage "CMOS amplifier with an output inverter consisting a total of three stages". "The first is a differential pair, the second stage is a common source amplifier and the last stage is an inverting buffer".

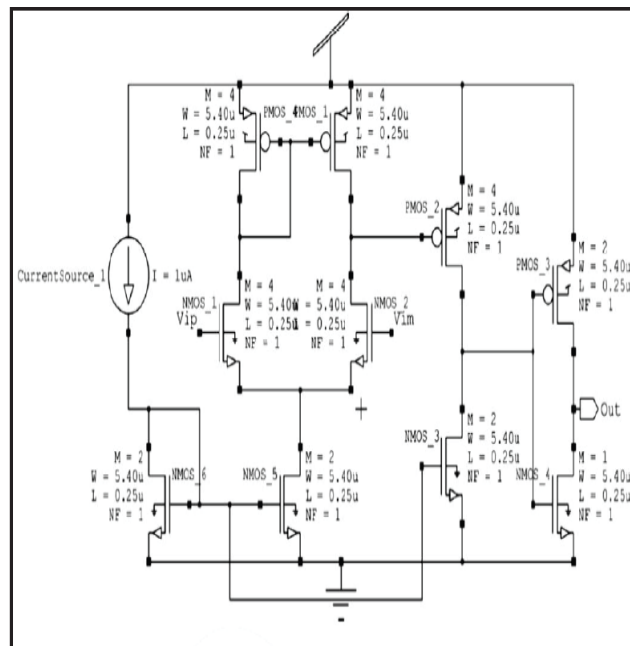


Fig5. Two Stage CMOS Comparator With Output Inverter[5]

“Differential pair circuit is leveraged to mete out high gain, common source amplifier is leveraged to amplify the meted out signal, and inverter buffer is leveraged for a pungent output”. “Input differential pair is designed by using NMOS because of its high mobility. When the same inputs are given to the differential pair, current flow through the pair's drain is same”. “Current mirror circuit mirrors out the same to its adjacent which ensures the same potential at the drain source of PMOS1 shown in the figure 5”. “Generally common source amplifier's PMOS width is increased to certain to ensure the speed operation and low power consumption”. “The input bias current is designed for $1\mu\text{A}$ in this circuit”. “The total amount of bias current is $3\mu\text{A}$, as the current is mirrored to the first two gain stages. The reference voltage is set as ‘ V_{im} ’ in this circuit”. “The transistors length is chosen to be 180nm as speed is more important than gain in this circuit design”.

C. Digital to analog convertor (DAC):

The digital to” analog converter (DAC) converts the digital output of the SAR logic to an analog value”. “Then in the comparator, this value is compared to the input signal”.

Two stage weighted capacitor array:

Two-stage capacitor array (TWC) was suggested to moderate the large capacitance scope in Binary weighted capacitor array (BWC). Figure.6 illustrates a TWC array. “In this approach the BWC array is divided into two smaller BWC and a coupling capacitor is added between two parts this architecture reduces occupied area and power consumption”.

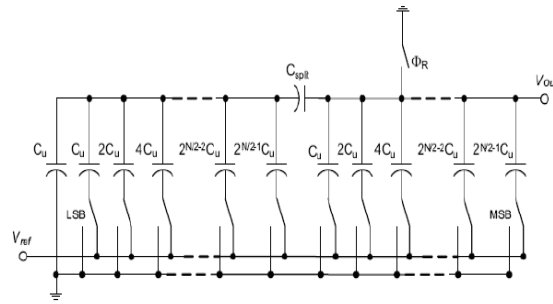


Fig 6. Two stage weighted capacitor array [3].

D. Successive Approximation Register:

For an N bit SAR ADC, digital control logic requirements at least N flip-flops to perform adaptation.

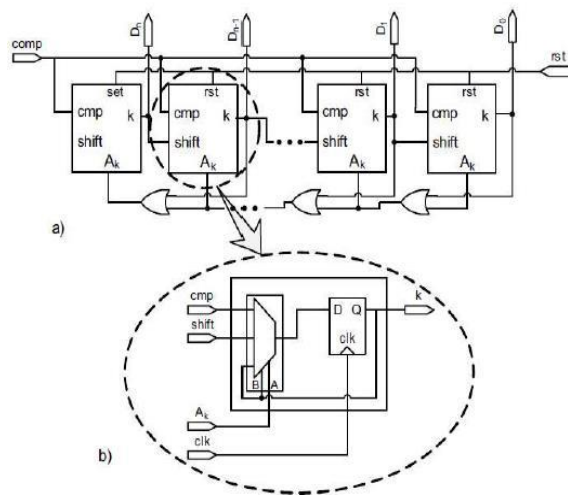


Fig 7. Successive Approximation Register[1].

Therefore, a non-redundant SAR employs smallest number of flip-flops. These FFs together guess and supply the converted result.

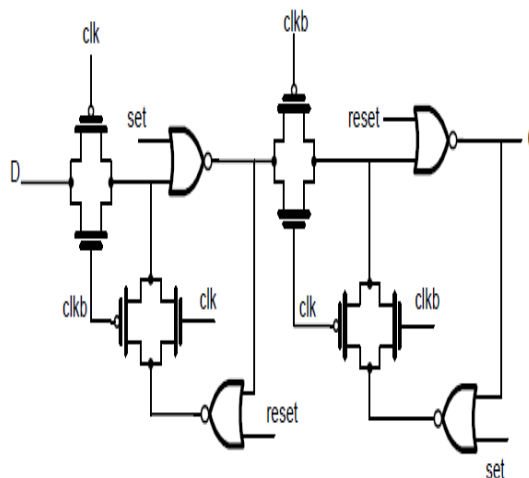


Fig 8. Edge triggered D-flip flop with set and reset inputs[2]

Transient Analysis of 4-bit SAR ADC:

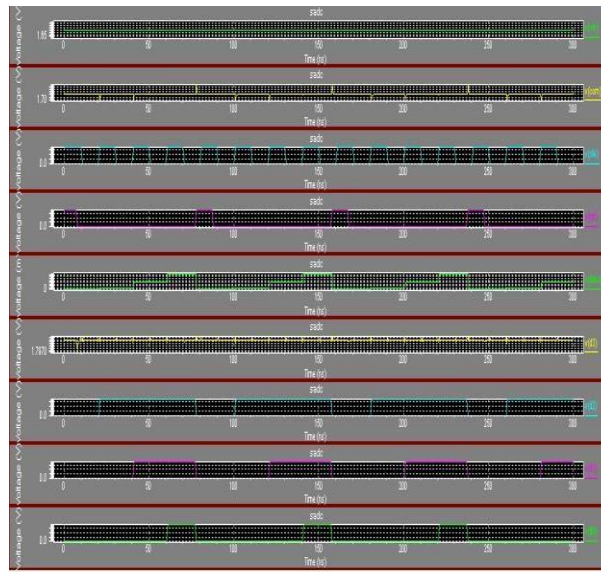


Fig 10. Transient Analysis of 4-bit SAR ADC

B. 4-stage Pipelined ADC (in tanner EDA tools using 180nm technology):

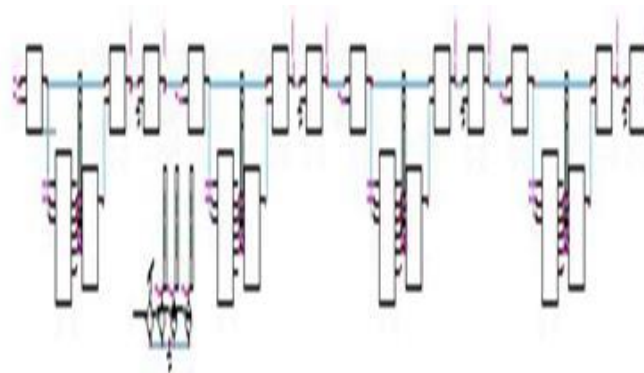
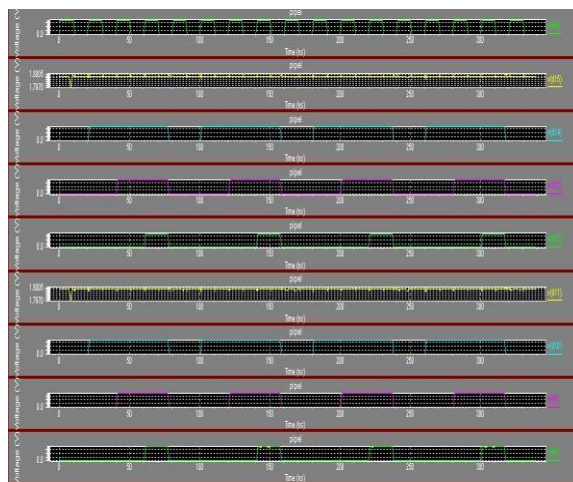


Fig 11. Schematic of 4-stage Pipelined ADC

Transient Analysis of Pipelined ADC:



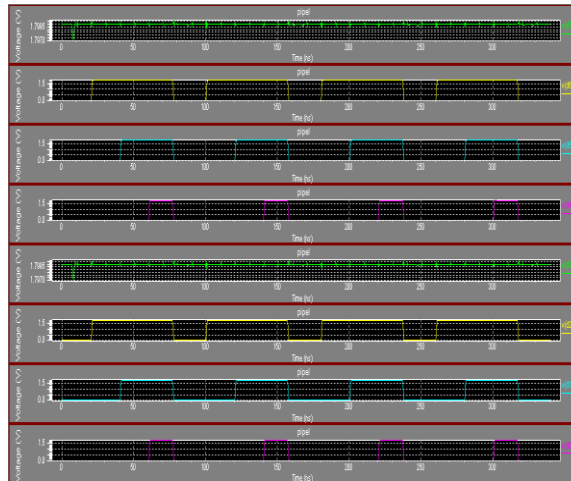


Fig12. Transient Analysis of Pipelined ADC

7. CONCLUSION

4-stage Pipelined ADC is implemented in 180nm CMOS technology using tanner EDA tools. “The simulation results indicate that the circuit achieves 16-bit monotonic conversion at high speed. This device is suitable for standard CMOS technology VLSI implementation”. “This ADC is operated at low frequency especially in bio medical applications”.

7. REFERENCES

- [1] Abhishek Rai, B Ananda Venkatesan, “Analysis and design of High Speed and Low Power Comparator in ADC”, International Journal of Engineering Development and Research (IJEDR), 2014.
- [2] Baker, R. Jacob. CMOS: circuit design, layout, and simulation. Vol. 18. John Wiley & Sons, 2011.
- [3] Rossi, A., and G. Fucili. "Non redundant successive approximation register for A/D converters." Electronics letters 32.12 (1996): 1055- 1057.
- [4] Oskuii, Saeid Tahmasbi. "Comparative study on low- power high performance flip-flops." (2004).
- [5] Yee, Y. S., L. M. Terman, and L. G. Heller. "A two- stage weighted capacitor network for D/AA/D conversion." Solid- State Circuits, IEEE Journal of 14.4 (1979): 778-781.